

UARA.3006 OWNER'S INSTRUCTIONS



1.APPLICATIONS

- Vacuum truck
- Combination Sewer Cleaning Truck
- Fire Fighting Truck

2.DEFINITION

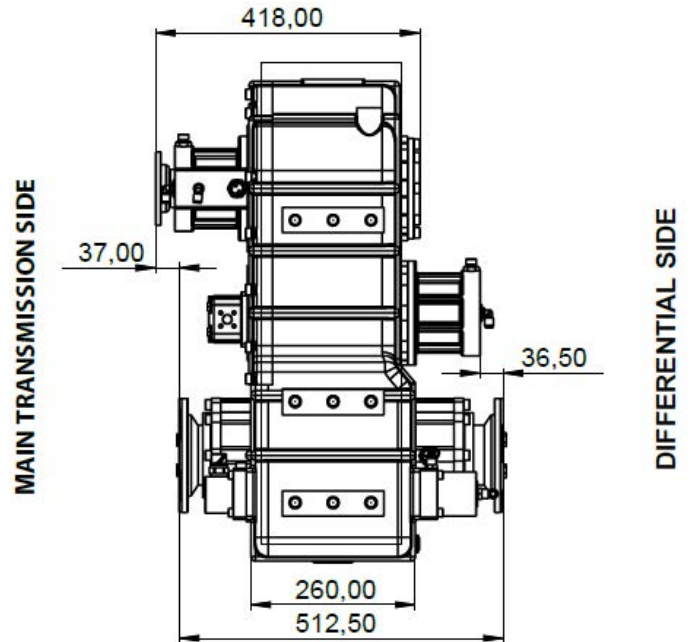
UARA.3006 is a Split Shaft PTO which is designed with Separators to control outputs independently. UARA.3006 allows you to run your equipments freely and independently.

2.1 UARA.3006 takes power from main shaft to make equipments work. For input and output flanges; ISO 8667, ISO 7646, ISO 7647 std. are match.

2.2 UARA.3006 split shaft has 2 outputs in its middle axial and 1 output in its top axial.

2.2.1 One of middle output is SAE B (Z:23) ,
Second output of middle axis is group 1 Pump output (DIN 5463 6x21x25).

2.2.2 Top output ; ISO 8667, ISO 7646, ISO 7647 std. flanges are matched.



Merkez : 1175. (7) Sokak No:9 (06370) Ostim-ANKARA Tel: (+90312) 354 05 39 - pbx Fax:(+90312) 354 34 59
Fabrika : ASO 1.Org.San.Bölgesi Erkunt Cad. No: 6 Sincan - ANKARA Tel: (+90312) 267 39 71 (pbx)

UARA.3006 OWNER'S INSTRUCTIONS



2.3 UARA.3006 Split Shaft PTO has two separator on its system. Separators can be controlled independently. No matter output type is, Separator controlling system is pneumatic. To engage process you need to supply air between 6-8 bar continuously. For disengage, please cut off supplying air.

2.4 UARA.300 Split Shaft Power Take-Off requires **80W90** type oil or equivalent oil. And oil amount should be **15 lt.**

3. TECHNICAL DATA

This split shaft warrant below values in case it is used proper

3.1. MAIN INPUT-OUTPUT &

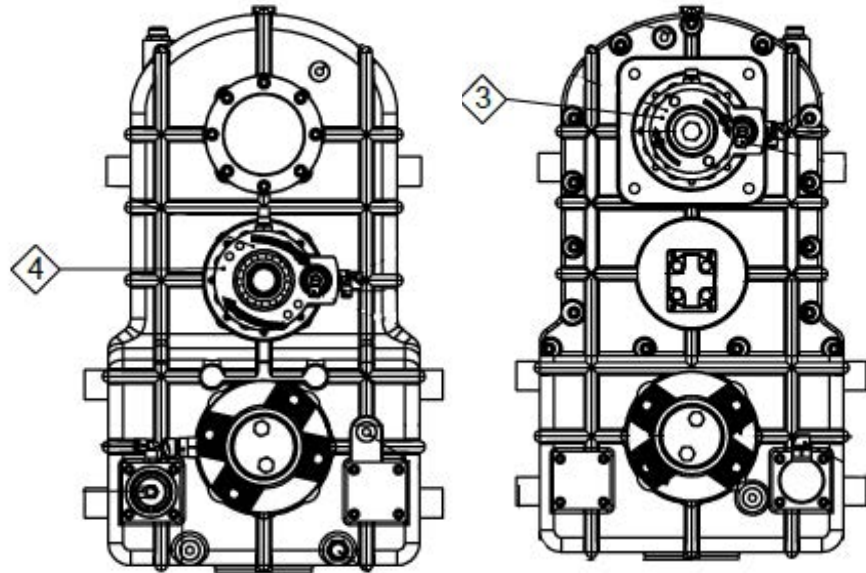
Maximum Continuous Torque : 29400 Nm / 3000 kgm / 21700 lb-ft
Maximum Instant Torque : 37265 Nm / 3800 kgm / 2748 lb-ft
Maximum Rotation : 2500 – 3300 rpm

3.2. OUTPUT

Ratio : 1 /1,275
Torque : 5500 (Nm)
Power (kW) (1000 RPM) : 350 (kW)

3.3. OUTPUT

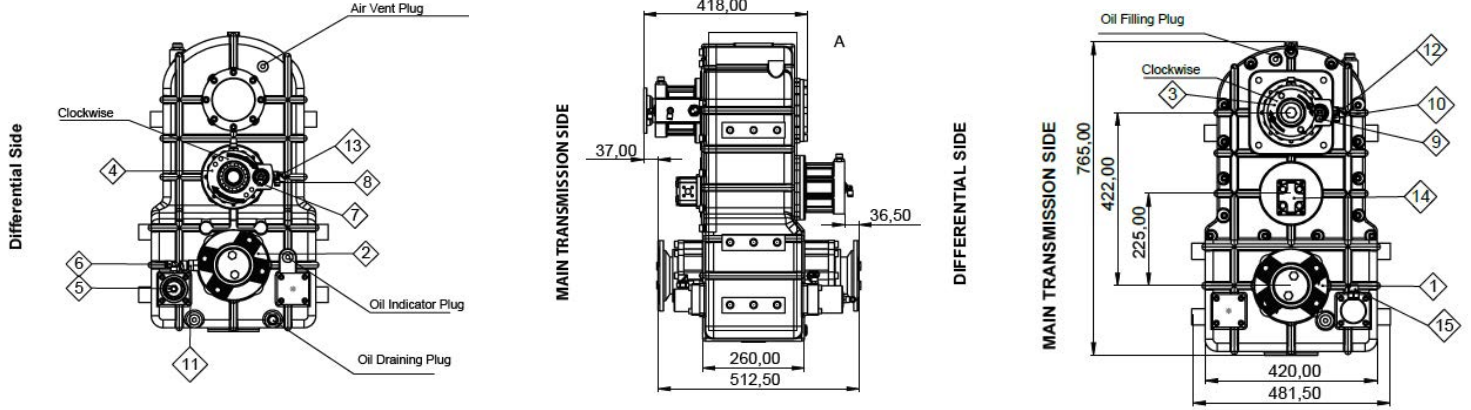
Ratio : 1 /1,15 -1/1,3
Torque : 3300 (Nm)
Power (kW) (1000 RPM) : 350 (kW)



Merkez : 1175. (7) Sokak No:9 (06370) Ostim-ANKARA Tel: (+90312) 354 05 39 - pbx Fax:(+90312) 354 34 59
Fabrika : ASO 1.Org.San.Bölgesi Erkunt Cad. No: 6 Sincan - ANKARA Tel: (+90312) 267 39 71 (pbx)

UARA.3006 OWNER'S INSTRUCTIONS

3.4. SENSE OF ROTATION



4. ENGAGING & DISENGAGING

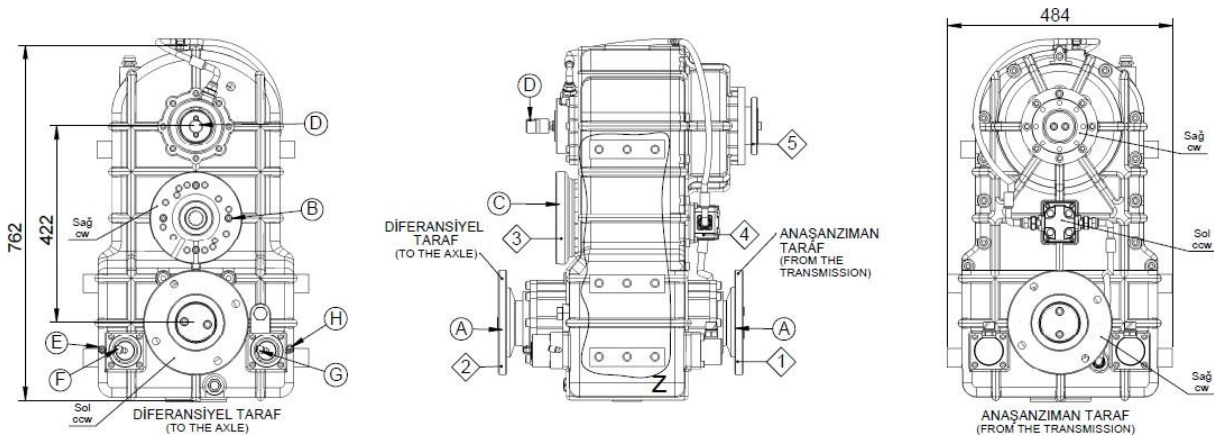
Generally, engaging-disengaging operation is made by the 6-8 bar double-action pneumatic cylinder. To keep engage or disengage stable there is safety catch system. For top output where the clutch mechanism is located, there is rotary union (air inlet to engage the clutch discs) and air should apply **continuously**.

4.1 Main Drive; is driven by (6) air inlet, Disengage by (5) air inlet

4.2 Middle ; is driven by (7) air inlet, Disengage by (8) air inlet. (During this process clutch pedal should be pressed and wait aprx. 15 seconds)

4.3 Top shaft ; after middle axial is engaged by (9) air inlet , top axial can be driven by (10) air inlet

In case of not following these instructions, the vehicle is out of warranty coverage.



5. DIMENSIONS



Merkez : 1175. (7) Sokak No:9 (06370) Ostim-ANKARA Tel: (+90312) 354 05 39 - pbx Fax:(+90312) 354 34 59
Fabrika : ASO 1.Org.San.Bölgesi Erkunt Cad. No: 6 Sincan - ANKARA Tel: (+90312) 267 39 71 (pbx)

UARA.3006 OWNER'S INSTRUCTIONS



6) SERVICE

OIL FILLING

The split shaft units are shipped as unoled. Oil should be filled into the Split Shaft Pto using the oil filling mechanism, before running the vehicle. The oil filling operation should be made on the ground. The correct oil level is the top level shown on the indicator. The oil should be totally clean. You are required to use only the recommended oil. (80W90 or equivalent oil) In case of using any oil other than the recommended oil, the vehicle is out of warranty coverage.

7) MAINTENANCE

7.1 OIL LEVEL CONTROL

Maintenance should be made before and after long trips. Maintenance should be made at ground level and when the vehicle is not running. In case the oil level is less than required, oil should be added.

7.2 OIL REPLACEMENT

Make sure that old oil is totally drained and make sure that you are using recommended (correct) oil. In case of mixing old and new oil;

This situation is going to cause damage of components of gearbox (shaft, gear, bearing etc.).

7.3 OIL CHANGING

First oil changing should be made following 100 hours after the Split Shaft Unit has started to run. Oil changing should be made when the oil is cold. Draining could be made by removing the drain plug. In order to accelerate the process, it is recommended to remove the filling plug also. Before re-starting, the drain plug is required to be cleaned. Subsequent oil replacements should be made once in every 1000 hours or once a year..

IMPORTANT

During oil replacement, do not touch the hot oil. Act in compliance with the country legislations in the disposal of the waste oil. Do not pollute the environment.



Merkez : 1175. (7) Sokak No:9 (06370) Ostim-ANKARA Tel: (+90312) 354 05 39 - pbx Fax:(+90312) 354 34 59
Fabrika : ASO 1.Org.San.Bölgesi Erkunt Cad. No: 6 Sincan - ANKARA Tel: (+90312) 267 39 71 (pbx)

UARA.3006 OWNER'S INSTRUCTIONS



7.4 IDENTIFICATION OF OIL LEAKS

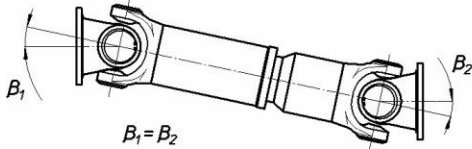
Check for oil leaks periodically. Check for any oil leaks in the area where the vehicle is operated and the surroundings. In case of detecting any oil leaks, Prevent oil leaking, add oil if necessary, contact with manufacturer firm KOZANOĞLU KOZMAKSAN

7.5 GENERAL EQUIPMENT CONTROL

Check for equipments and parts of product periodically. If needed, make bolts tighten

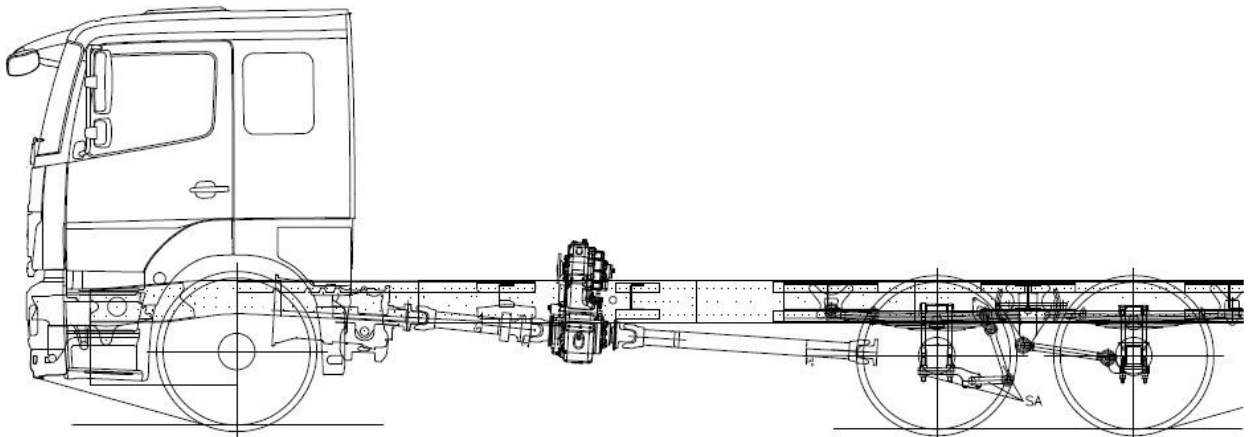
INSTALLATION

- There must be special suspension kit to install the PTO
- The gearbox's brackets should be screwed proper location on chassis. Before screw the proper location on chassis, approval should be received by manufacturer. **NEVER INSTALL IT WITH WELDING PROCESS**
- Balanced shafts should be used
- U-joint flanges should be parallel. This analogy avoids vibration and noise. Also shaft of main transmission, the gearbox and other components should be install compatible to this parallelism. β_1 and β_2 angels should be identical. These angels are changeable due to chassis type and ratio between $3^\circ-7^\circ$



SPEED	OPERATING ANGLE
5000 RPM	$3^\circ 15'$
4000 RPM	$4^\circ 15'$
3000 RPM	$5^\circ 30'$

- Shaft of PTO and transmission should be install with u-joint bolts. U-joint screw diemensions, should match with equipments and should avoid any possible friction and collision.. Yokes and reference points which placed on shaft should be controlled and should be checked for making sure.



Merkez : 1175. (7) Sokak No:9 (06370) Ostim-ANKARA Tel: (+90312) 354 05 39 - pbx Fax:(+90312) 354 34 59
Fabrika : ASO 1.Org.San.Bölgesi Erkunt Cad. No: 6 Sincan - ANKARA Tel: (+90312) 267 39 71 (pbx)